



**TW 3200 Door Lock is made of High-Quality stainless steel and works on Mifare Technology. is our latest and most popular apartment lock in 2018, applied for luxury apartment or high-end commercial building**



# TW - 3200





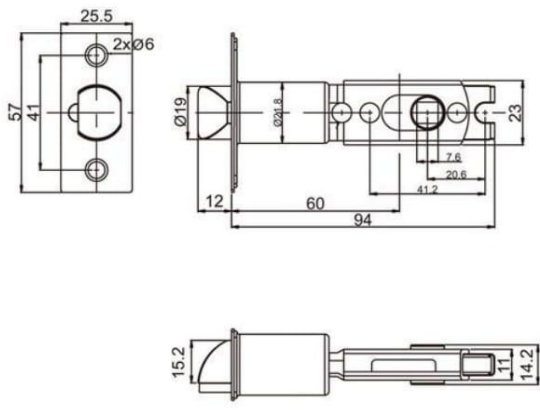
## Function features

- Nano plating— Swiss watches the same process, the shining is not for the moment but forever.
- Biometric Semi-conductor Fingerprint Sensor— The Swedish FPC banking for the fingerprint sensor, 132 international banks to witness the quality of application.
- Integrate sealed PCB—Water proof, dust proof, shock proof and protect the electronic components properly.
- Easy to use—Full voice guide, a single password intelligent management operation, convenient beyond your imagination;
- Intelligent protection system—Spare mechanical key to open the door with automatic alarm function.

Item	Parameter
Door unlocking mode	WiFi, Fingerprint, card, code, mechanical key
Fingerprint read time	<1second
FRR	≤0.01%
FAR	≤0.0001%
User code capacity	100
Fingerprint capacity	100
User card capacity	100
Battery	4/8 x AA alkaline batteries (DC4.8 ~ 6.5V)
Low voltage alarm	4.8V (+/-0.2V)
Static current	95~380uA
Dynamic current	200mA
Working temperature	-20°C ~ 55°C
Storage temperature	-30°C ~ 70°C
Average Working time of trouble free	≥25,000h

### Single Latch Mortise:

Easy to install or renovate, the knob lock hotel could be upgraded without drilling any extra hole.



### Five Latch Mortise:

Deadbolt function more security

