

TW - 8088

TW 8088 stainless steel hotel lock is made for the IC lock hotel upgrading renovation, easily change the IC lock into RF lock, which has been widely used in 7-Days Inn and HOME INN (>100,000 room) in INDIA hotel in market.



Function features



Card Unlocking



Time Control Function



Mechanical Key



Self-locking Protection



Low Power Alarm Function



9# Mortise



8# Long Mortise



Fireproofing

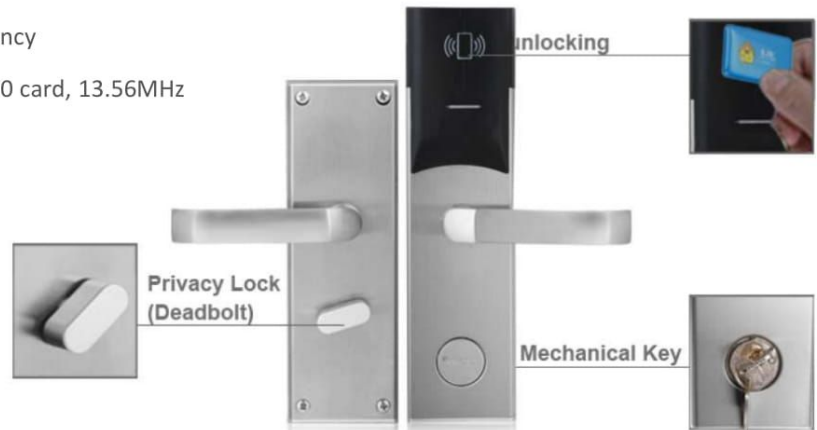


Integrated Manufacturing

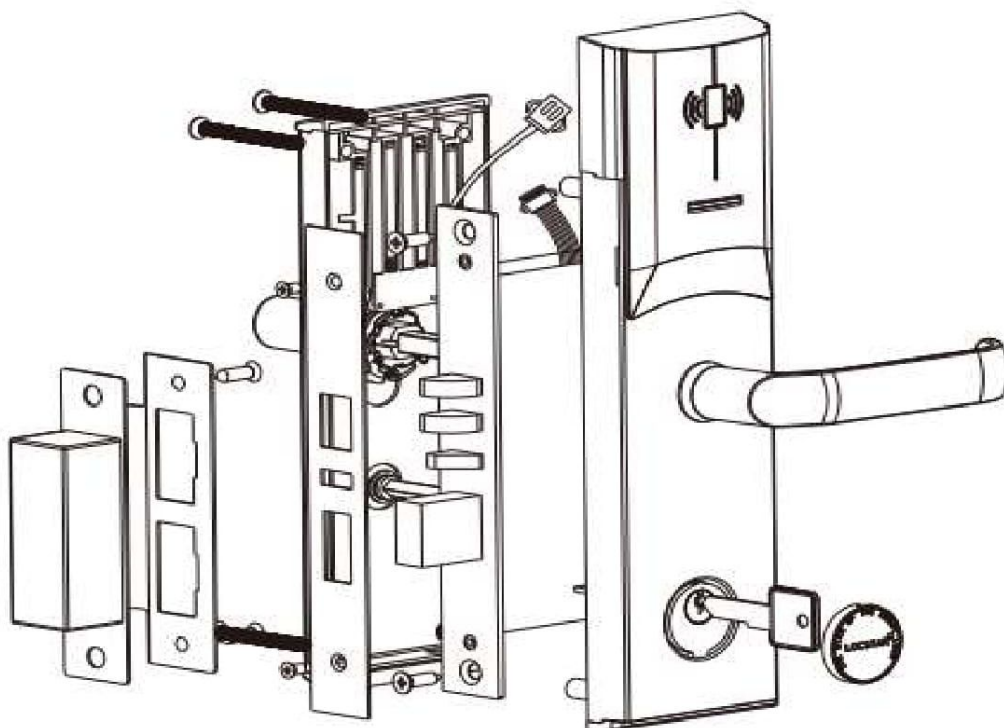
Technical parameter

Lock type	RF card lock	
Electronic key	NXP Mifare One S50	ATMEL T5557
	Mifare card	Temic card
International Standard	ISO14443-A	ISO11784/785
Static current	≤25uA	≤15uA
Dynamic current	≤200mA	
Power Supply	4 xAA	
Low-voltage Index	5.0V(±0.2V)	
Battery life	≥10000 times	
Mechanical life	≥100000 times	
Reliability	≥30000 times	
Weight	3.5kg	
Working temperature	-20°C ~ 55°C	
Storage temperature	-30°C ~ 70°C	
Working humidity	15%RH ~ 93%RH	

1. Unlocking by RFID card + mechanical key in emergency
2. Card type: Temic T5557 card, 125KHz or M1fare S50 card, 13.56MHz
3. Material: SUS304 stainless steel.
4. Powered by 4pcs AA Alkaline battery.
5. Battery life: approx. 1 year.
6. Low voltage alarm.
7. Door ajar alert
8. DND (Do not disturb) function available
9. Management classification: support 14 types of cards including authorization card, clock card, room number setting card, master card, emergency card, floor card, building card, guest card, temporary card, housekeeping card, alarm card, no-disturbing card etc.
10. Hidden cylinder.
11. Hotel locking system includes: hotel locking software, encoder, RF card, energy saving switch, data collector.
12. Warranty: 3 years, lifetime maintenance.
13. Hotel software interface with other PMS (API / SDK can be provided).
14. Front panel size: W77.1*H293*D65.1mm, back panel size: W76.5*H242*D66mm

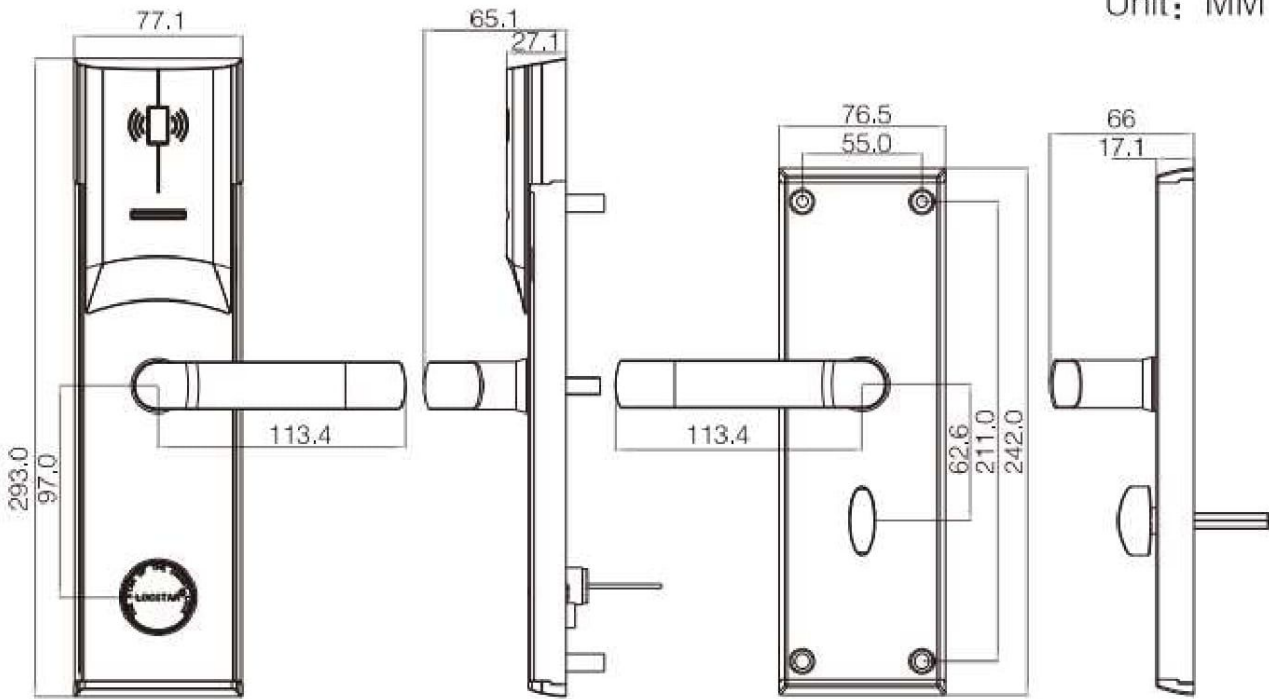


Installation



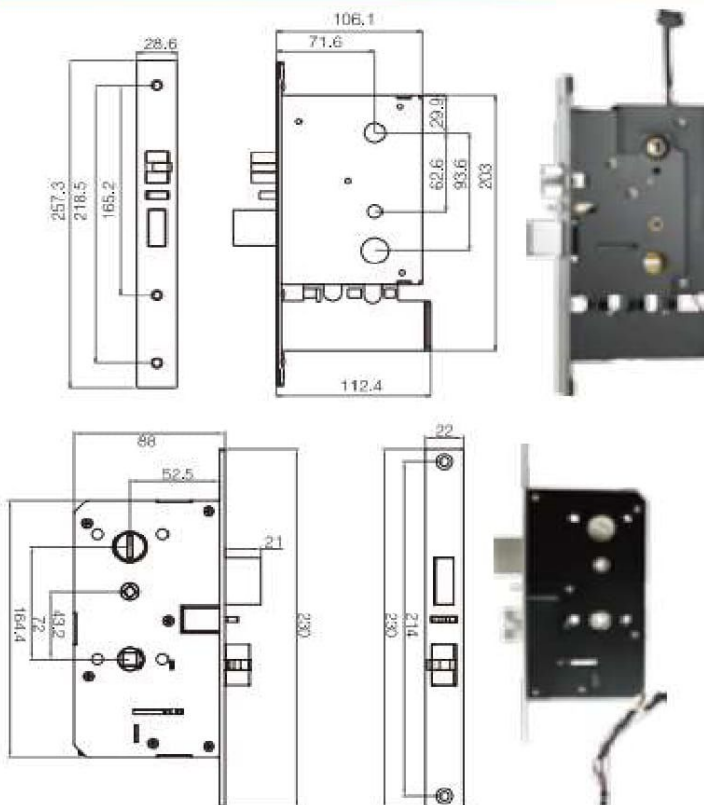
Panel measurement

Unit: MM



Mortise measurement

Unit: MM



8# 09 strike plate mortise

9# mortise

