

Morley Lite Fire Alarm Control Panel

Honeywell Morley Lite is a Compact, High Performance, Feature enriched Fire Alarm Control Panel designed to meet the Fire Detection Addressability.

Honeywell Morley-Lite Fire Detection Control Panel series is ideally suited for Small to Medium Sized Buildings, Residential Complexes, Banks, Healthcare, Restaurants, Retail Stores etc. Morley Lite panels communicates via LiteSpeed™ protocol with Morley Lite detectors and devices.

Morley Lite Panel is built with Combination of quick installation, enhanced feature set and advanced programming which allows installer to meet demands of the end user with flexibility in configuration. Equipped with configurable remote monitoring inputs, programmable relays, delay setting for alarm verification, software isolation of class B circuit and NAC outputs, mapping of NAC to specific class B circuits, password protections etc.

End users get clear visible indications, easy to operate functions to activate the control buttons, customizable class B circuit text via text inserts to meet building naming conventions. Reliable and trouble free system built as per latest safety standards of industry which ensures system is safe and protected. Internal memory lock feature to restrict changes to fire panel configuration by any intruder without key lock.



FEATURES

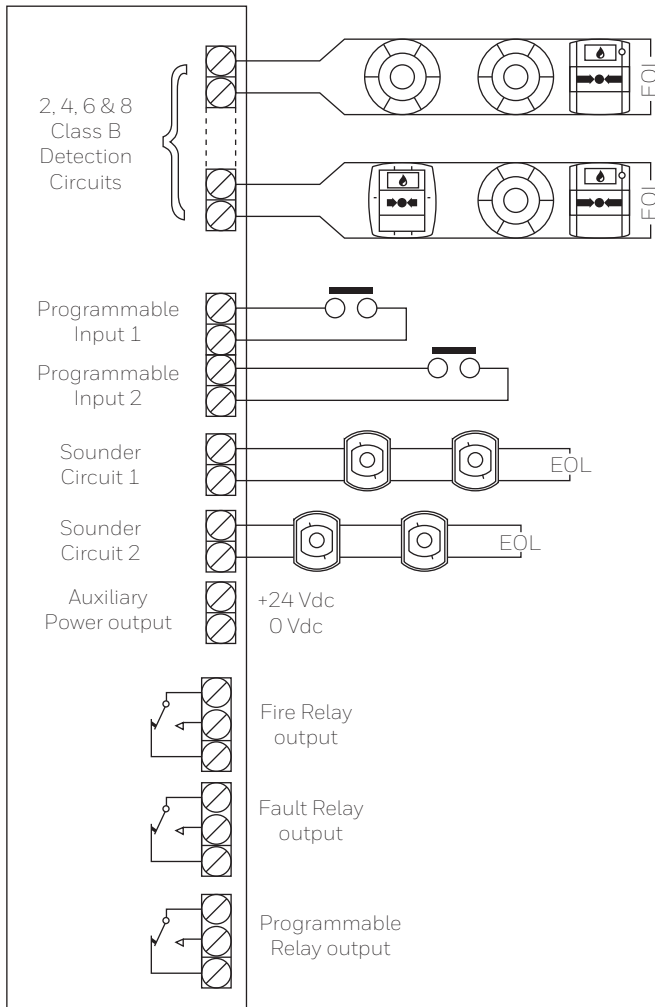
Display: 16 X 4 Char LCD Screen.

Control Keys: Silence Buzzer, Silence/Resound Alarm, Reset, Evaluate, Accept delay.

Indicators: Fault, NAC Fault, Earth Fault, Fire, Power, System Fault.

USER INTERFACE

<ul style="list-style-type: none"> 16* 4 Char LCD display, Aesthetically designed front facia 	<ul style="list-style-type: none"> Fire, Fault, Configurable Relay 	<ul style="list-style-type: none"> Staged Delay configuration for alarm verification
<ul style="list-style-type: none"> Individual Class B Circuit Isolation 	<ul style="list-style-type: none"> Circuit wise NAC configuration 	<ul style="list-style-type: none"> Engineering Mute Configuration
<ul style="list-style-type: none"> Customizable text inserts 	<ul style="list-style-type: none"> NAC Enable/Disable facility 	<ul style="list-style-type: none"> Battery Charging/Battery Internal Resistance Monitoring
<ul style="list-style-type: none"> Programmable input for remote reset/evacuate/alert/fire 	<ul style="list-style-type: none"> Monitored NAC and Class B Circuit for Open/Short/Faults 	<ul style="list-style-type: none"> Aux output facility
<ul style="list-style-type: none"> Event Logging 	<ul style="list-style-type: none"> PC tool for advanced configuration needs/ Event exploring 	<ul style="list-style-type: none"> On board memory lock switch to prevent unauthorized panel configuration changes.
<ul style="list-style-type: none"> Lamp Test Facility 	<ul style="list-style-type: none"> One Man walk test facility 	<ul style="list-style-type: none"> Configurable delays to output, with timer to fire indication
<ul style="list-style-type: none"> Detectors/MCPs in same circuit 	<ul style="list-style-type: none"> Upto 1000m cable connectivity per circuit, Typically 20 Detectors per Class B Circuit+ 5 MCP's 	<ul style="list-style-type: none"> Latching/Non-Latching configuration for fault for easy debugging
<ul style="list-style-type: none"> Data/Time/Password configuration 	<ul style="list-style-type: none"> Earth Fault Monitoring 	<ul style="list-style-type: none"> Mechanical Keylock
<ul style="list-style-type: none"> Separate configuration/user memories/system fault, sound/ resound feature like EN 54-4 standard 	<ul style="list-style-type: none"> Certified for Safety standard IEC 62368-1:2018 	<ul style="list-style-type: none"> CE certificate



WIRING DIAGRAM

Mechanical Specifications	
Dimensions (H X W X D)	360 X 422 X 122.8 mm (Front Facia), 360 X 380 X 92.3 mm (Back Box)
Weight	5.8 Kg Approx. (No Battery Fitted)
Construction	Powder coated Cold Rolled STEEL 1.2mm thick
Cable Entry	15 X 20mm Knockout
Operating Temperature	0 to 49°C
Relative Humidity	5% to 95% Non-Condensing
Electrical Specifications	
Operating Voltage	230V-AC +/- 20% Output current 2A maximum, Alarm Load 1A Maximum
Standby Batteries	Minimum capacity 2 x 12 V 2.8Ah, Maximum capacity 2 x 12 V 7 Ah
Detection Circuits	2, 4, 6, 8 Class B Circuit, Max 2mA per Detect or Circuit
Approved Detectors	Honeywell Morley Lite Series
Programmable Inputs	Configurable (Alarm, Reset, Evacuate)
Programmable Input	Extended closing contact
Trigger External Outputs	Sounder Outputs: <ul style="list-style-type: none"> • 2 monitored outputs • 0.5 Amps per circuit Auxiliary Output: <ul style="list-style-type: none"> • 18.5 to +28.5 Vdc, 0.5 Amp. (max)

Circuit diagram*

* Number of Programmable input might vary based on panel model, minimum 1 would be supported in all variants, check installation manual for all details

COMPATIBLE DEVICES

Order Codes	Description
HML/PSE	Morley Lite Photo-Electric Smoke Detector
HML/PTSE	Morley Lite Photo-Electric Smoke & Heat Detector
HML/RHSE	Morley Lite Heat Detector
B/401	Plug-in detector base

ORDERING PART CODES

Order Codes	Manufacturer Part No.
HML/100/2A	Morley Lite 2 Circuit Class B Fire Alarm Control Panel
HML/100/4A	Morley Lite 4 Circuit Class B Fire Alarm Control Panel
HML/100/6A	Morley Lite 6 Circuit Class B Fire Alarm Control Panel
HML/100/8A	Morley Lite 8 Circuit Class B Fire Alarm Control Panel
MCP2A/R470FF/01	System Sensor MCP Red W/O Back Box
MCP2A/R470SF/01	System Sensor MCP Red with Back Box
W1A-R470SF-K013-01	System Sensor WCP Red, Flexible Element
W1A-R470SG-K013-81	System Sensor Intrinsic WCP Red, Glass Element
SYS/HS	System Sensor Horn cum Strobe, Wall, Red, Standard Candela
SYS/HS/C	System Sensor Horn cum Strobe, Ceiling, Red, Standard Candela
SYS/ST	System Sensor Strobe, Wall, Red, Multi Candela
SYS/ST/C	System Sensor Strobe, Ceiling Mount, Red, Multi Candela
MHR/1	System Sensor Red Mini Horn, Red, UL certified

For more information

HBT-IndiaBuildings@Honeywell.com

Honeywell HBT India Buildings

Unitech Trade Centre, 5th Floor, Sector – 43
Block C, Sushant Lok Phase – 1
Gurgaon – 122002, Haryana, India
Tel: +91 124 4975000
www.honeywell.com

Toll free no for the technical support - 18001030339

© 2019 Honeywell International Inc. | Version v1.0

Honeywell