

# TW 8015-MM



Unique handle design, optional single latch or 9500 ANSI mortise could also provide you security and convenience **digital lock** experience when you use. It is highly suitable for sector management and independent encryption.



Self-locking Protection



Handle-up Automatic Lockout



Fireproofing



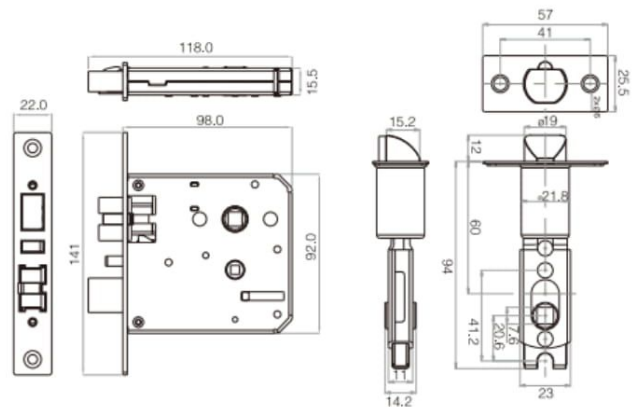
Low Power Alarm Function

## Description

- Customizable access code for increased security.
- Back-lit keypad for increased visibility.
- Hidden Cylinder override, elegant and more security.
- Easy to install---Replace any single latch for keyless entry convenience.
- Lift the inner handle to lock the door( for deadbolt latch).High security zinc alloy mortise lock case available in ANSI versions.
- Integrate sealed PCB---Water proof, dust proof, shock proof and protect the electronic components properly.
- Easy operation,convenient keypad programming.
- Up to 100 User codes,with 4-8 digits.

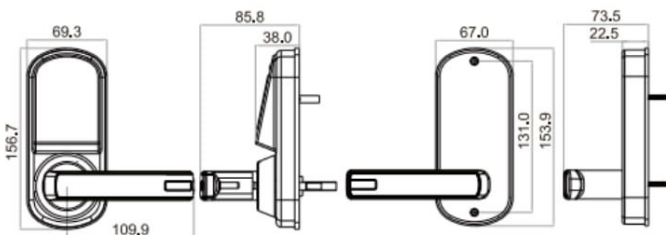
## Mortise measurement

Unit: MM



## Panel measurement

Unit: MM





# TW 8015-FM

Best choice for DIY installation, best choice for replacing the knob lock (single latch)



## Unlocking



### Unique Features

1. Zinc alloy material, touchscreen;
2. Unlock way:
  - 1) 100pcs code users;
  - 2) 100pcs card users;
  - 3) Mechanical key for emergency.
3. Optional Five latch mortise and single latch.
4. Modern lever handle style;
5. Popular finishes in Silver;
6. Try failure, sleeping mode to prevent illegal attempt;
7. Low battery alert, when battery voltage is below 4.8V
8. External power interface;
9. Hidden cylinder, mechanical key override;
10. 4 x AA Alkaline Battery.
11. Awarded CE certificate& ISO certificate.
11. Front panel size: L156.7×W69.3×D85.8mm,  
Back panel size: L153.9×W67×D73.5mm



Handle-up  
Automatic Lockout



Low Power  
Alarm Function



Integrated  
Manufacturing

# TW 8015-RF

Optional handle >

## Unlocking



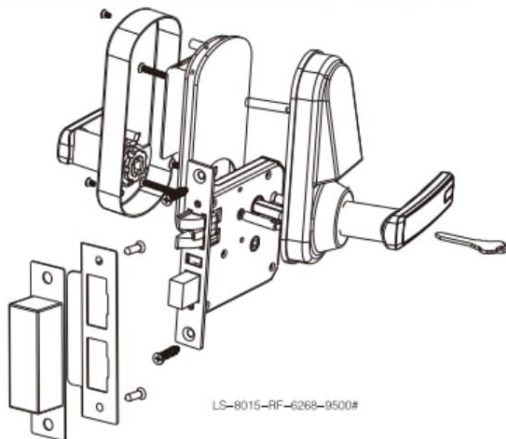
Card Unlocking



Mechanical Key



## Installation



## Description

- Smart design with Zinc alloy material.
- Replace the knob lock(single latch)without drilling extra hole.
- lift the inner handle to lock the door( for deadbolt latch).
- Integrate sealed PCB—Water proof, dust proof, shock proof and protect the electronic components properly.
- Hidden Cylinder override, elegant and more security.
- Finish Optional:Satin / PVD.
- Applicable card: Philip' s Mifare S50 Card or ATMEL Temic encrypted card.

## Mortise measurement

Unit: MM

## Panel measurement

Unit: MM

