

VC1

Vocal Condenser Microphone



OVERVIEW

The VC1 is a multi-purpose, professional vocal condenser microphone designed for stage, studio, and broadcast applications. It has a smooth and accurate frequency response and resistance to feedback. With its tight and controlled cardioid polar pattern, the VC1 helps isolate vocals on stage, while handling high SPLs without distortion. It is also versatile enough to capture instruments such as guitars, woodwinds, brasses, percussion toys, drum overheads, hi-hats, and pianos.

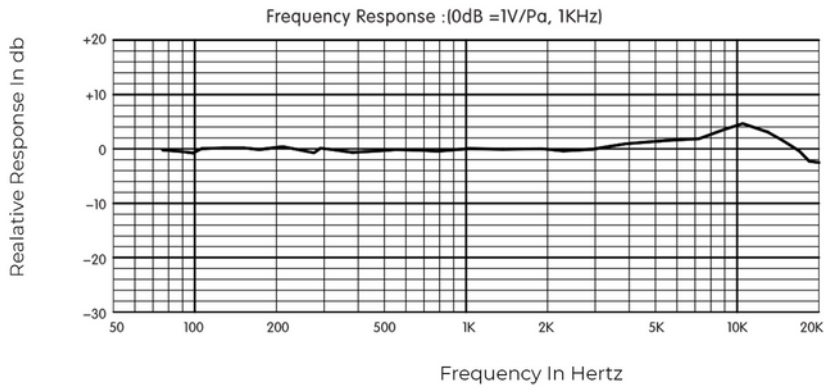
TECHNICAL SPECIFICATIONS

Capsule Type	Backplane polarized electret condenser
Polar Pattern	Cardioid Unidirectional
Frequency Response	50Hz - 20KHz (+- 3dB)
Sensitivity	-44 dB (1V/Pa)
Output Impedance	280 ohms (use symbol)
Max sound pressure level	20 dB (1KHz at 1% T.H.D)
Dynamic Range(Typical)	115dB, 1KHz at max sound pressure
S/N Ratio	>72dB(A), 1KHz at 1Pa
Phantom Power requirement:	11 – 52 VDC
Output Connector	Built-in 3-pin XLR-M Type
Size	Size: \varnothing 51mm x 190mm

KEY FEATURES

- Multi-purpose condenser microphone for professional audio
- Designed for smooth vocal pickup
- Flat frequency response in vocal range
- High strength metal grille with mesh protection
- Rugged metal body with matte paint

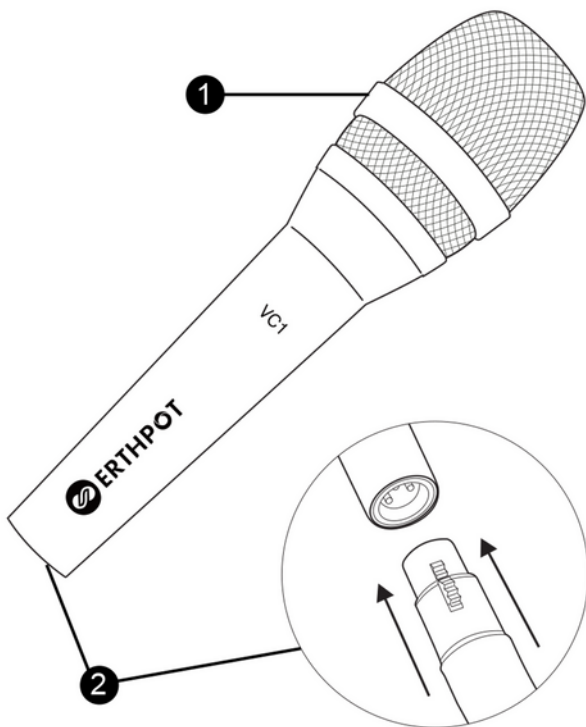
FREQUENCY RESPONSE



APPLICATIONS

- Live Music
- Auditoria
- Studio Recordings
- Classrooms & Speech

MECHANICAL DRAWING



SUPPLIED ACCESSORIES

- Supplied Accessories
- Heavy duty mic clamp with brass insert

ENGINEER AND ARCHITECT SPECIFICATIONS

The Vocal / Instrument Microphone shall be of condenser capsule with unidirectional (Cardioid) polar pattern designed to be used in professional applications like live music stage, studio recordings & auditoriums etc. The frequency response of the microphone shall be 50 – 20 KHz with Max SPL level handling of 120 dB (1KHz test signal at 1% THD). The microphone shall have a sensitivity of -44 dB (1V/Pa) with a dynamic range of at least 115 dB (1KHz). The microphone shall be made up to metal enclosure with steel grille and mesh protection against moisture.

Erthpot warrants your product against all defects and factory errors when purchased.

Erthpot stands behind the quality of its products, offering a generous 3-year warranty from the date of retail purchase. During this period, should any defects arise, Erthpot is committed to providing optimal solutions, which include repairing the product with genuine spare parts or replacing it with an equivalent new product*

*All the above dimensions are in mm.

ERTHPOT ELECTRONICS PRIVATE LIMITED

A - 164, A Block, Noida Sector 63, Gautam Buddha Nagar
Uttar Pradesh Pin Code: 201301
info@erthpot.com