

VD1

Vocal Dynamic Microphone



OVERVIEW

With its clear and accurate sound reproduction, resistance to feedback, and ability to handle high SPLs without distortion, the VD1 is a game-changer in the world of vocal microphones. The VD1's tight, uniform pattern effectively isolates vocals from the instruments on stage, ensuring crystal-clear sound quality. Its wide frequency range of 50 Hz – 14 kHz, coupled guarantees a precise and exceptional voice response. Furthermore, VD1 Microphone comes with reliable reed type mute switch which avoids switching noise during the performances. Even on large or professional systems, the VD1 retains its true sound, making it a versatile choice for any setup. VD1 microphone is made of high strength metal enclosure with steel grille and mesh protection layer.

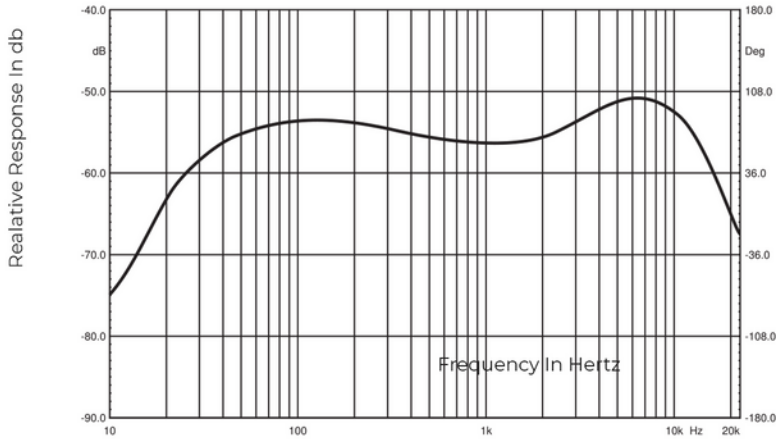
TECHNICAL SPECIFICATIONS

Capsule Type	Dynamic coil
Polar Pattern	Cardioid Unidirectional
Frequency Response	50Hz - 14kHz (+- 3dB)
Sensitivity	-58 dB (1V/Pa)
Output Impedance	600 ohms
Max sound pressure level	dB (1kHz at 1% T.H.D)
Output Connector	Built-in 3-pin XLR-M Type
Size	φ51mm x 190mm
Weight: Approximately	343g

KEY FEATURES

- Multi-purpose dynamic vocal microphone for professional audio
- Tailored vocal emphasized frequency response
- High quality reed type mute switch
- High strength metal grille with mesh protection
- Rugged metal body with matte paint

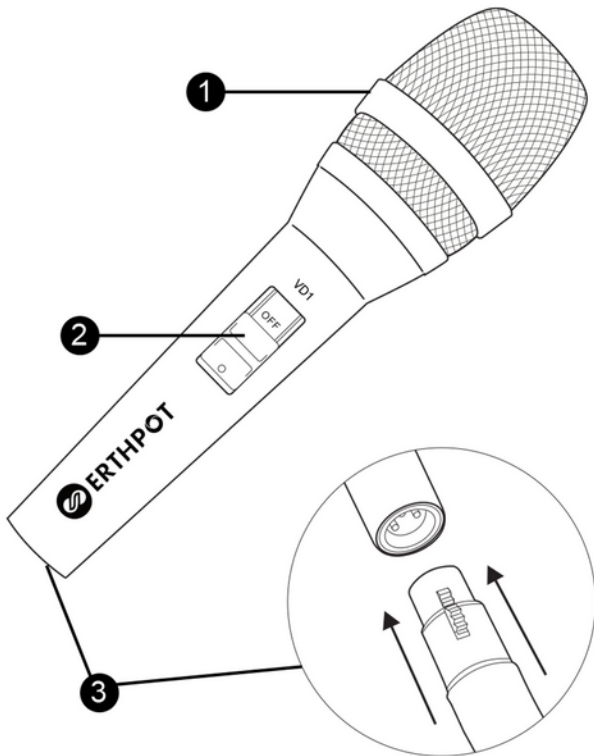
FREQUENCY RESPONSE



APPLICATIONS

- Live Music
- Auditoria
- Studio Recordings
- Classrooms &
- Speech

MECHANICAL DRAWING



SUPPLIED ACCESSORIES

Heavy duty mic clamp with brass insert

ENGINEER AND ARCHITECT SPECIFICATIONS

The Vocal / Instrument Microphone shall be of dynamic nature with unidirectional (Cardioid) polar pattern designed to be used in professional applications like live music stage, studio recordings & auditoriums etc. The frequency response of the microphone shall be 50 – 14 KHz with Max SPL level handling of dB (1KHz test signal at 1% THD). The microphone shall have a sensitivity of -58 dB (1V/Pa) with output impedance of 600 ohms. The microphone shall be made up to metal enclosure with steel grille and mesh protection against moisture.

Erthpot warrants your product against all defects and factory errors when purchased.

Erthpot stands behind the quality of its products, offering a generous 3-year warranty from the date of retail purchase. During this period, should any defects arise, Erthpot is committed to providing optimal solutions, which include repairing the product with genuine spare parts or replacing it with an equivalent new product*

*All the above dimensions are in mm.

ERTHPOT ELECTRONICS PRIVATE LIMITED

A - 164, A Block, Noida Sector 63, Gautam Buddha Nagar
Uttar Pradesh Pin Code: 201301
info@erthpot.com