

# DHI-KTP03L

## IP Video Intercom KIT



### Technical Specification

Model	DHI-VTO2111D-P-S2
-------	-------------------

#### System

Main Processor	Embedded Processor
Operating System	Embedded Linux OS
Button Type	Mechanical
Interoperability	ONVIF; CGI
Network Protocol	SIP; P2P; IPv4; DNS; RTSP; RTP; TCP; UDP

#### Basic

Camera	1/2.8" 2 MP CMOS high definition, low illumination/DWDR/ color/IR
Field of View	H: 107°; V: 60°; D: 122°
Noise Reduction	3D NR
Video Compression	H.264; H.265
Video Resolution	Main stream: 720p, WVGA, D1, CIF Sub stream: 1080p, WVGA, D1, QVGA, CIF
Video Frame Rate	PAL: 25 fps; NTSC: 30 fps
Video Bit Rate	256 Kbps–8 Mbps
Light Compensation	Auto IR
Day/Night	Auto(ICR)/Color/B/W;Color/B/W
Audio Compression	G.711a; G.711u; PCM
Audio Input	1
Audio Output	Built-in speaker
Audio Mode	Two-way audio

#### IP Villa Door Station

- Megapixel image sensor
- Supports IR illumination and night vision.
- Two-way audio and voice call through app.
- Can be managed through the management platform; supports voice call between App and the door station.
- Card unlock, unlock on the indoor monitor, and remote unlock through the App.
- Supports IP65 (Silicone sealant is needed.
- For details, see the quick start guide.)
- Supports 10000 cards.
- Supports standard PoE power supply.
- Controls two locks With DEE1010B module

#### IP Indoor Monitor

- 7" TFT capacitive touch screen, 1024 × 600.
- 6-channel alarm input and 1-channel alarm output.
- Standard PoE.
- Door station and IPC monitor.
- H.265 and H.264 video decoding.
- High performance & cost-effective.



Audio Enhancement	Echo suppression/digital noise reduction
-------------------	--

Audio Bit Rate	16 KHz, 16 bit
----------------	----------------

#### Function

Communication Mode	Full digital
Unlock Mode	Card; app; indoor monitor
Card Type	IC card
Leave Videos	Yes (SD card inserted in VTH is needed)
Web Configuration	Yes

#### Performance

Card Reading Distance	0 cm–4.5 cm (0"–1.77")
Issue Card Locally	Yes
Casing Material	PC + Acrylic

#### Capacity

Card Capacity	10000
---------------	-------

#### Port

RS-485	1
Power Output	1 port, 12 V and 200 mA
Exit Button	1
Door Status Detection	1

Lock Control	1 port, normally closed by default
Network Port	1 × 10/100 Mbps network port (8-core white ribbon cable)

## Alarm

Tamper Alarm	Yes
--------------	-----

## General

Appearance Color	Black
Power Supply	12 VDC, 1 A Standard PoE
Power Adapter	Optional
Installation	Surface Mount
Certifications	CE
Accessory	Included: Alarm power ribbon cable, rain cover, brackets
Product Dimensions	135.1 mm × 70.6 mm × 34.6 mm (5.32" × 2.78" × 1.36")
Protection	IP65 (silicone sealant is needed, see the quick start guide.) IK04 (for common use)
Operating Temperature	-30 °C to +60 °C (-22 °F to +140 °F)
Operating Humidity	10%–90% (RH), non-condensing
Operating Altitude	Beneath 3000 m (9842.52 ft)
Operating Environment	Outdoor
Power Consumption	≤ 1 W (standby), ≤ 5 W (working)
Gross Weight	326 g (0.72 lb)
Anti-corrosion Level	Basic Protection

Model	DHI-VTH2621G-P
-------	----------------

## System

Main Processor	Embedded Processor
Operating System	Embedded LINUX OS

## Basic

Screen Type	Capacitive Touchscreen
Display Screen	7" TFT
Screen Resolution	1024 (H) × 600 (V)
Audio Compression	G.711a; G.711u; PCM
Audio Input	1
Audio Output	Built-in speaker
Audio Mode	Two-way voice talk
Audio Enhancement	Echo suppression
Audio Bit Rate	16 KHz; 16 bit

## Function

Communication Mode	Full digital
Information Release	Receive and view text information released by the management center
Leave Videos	Yes (an SD card inserted in VTH is needed)
DND Mode	Do not disturb period can be set; Do not disturb mode can be set
Number of Extensions	Villa: 9; Apartment: 4
Storage	Micro SD Card, Max 64 GB (reserved for software)

## Port

Alarm Input	6
Alarm Output	1
Network Port	1 × 10/100 Mbps Ethernet port

## Performance

Casing Material	PC + ABS
-----------------	----------

## General

Appearance Color	Black
Power Supply	12 VDC, 1 A Standard PoE
Installation	Surface Mount
Accessory	Bracket (included) Alarm ribbon cable (included)
Product Dimensions	189.6 mm × 134.6 mm × 26.0 mm (7.46" × 5.30" × 1.02")
Operating Temperature	-10°C to +55°C (+14°F to +131°F)
Operating Humidity	10%–95% (RH), non-condensing
Power Consumption	Standby ≤ 2 W; working ≤ 6 W
Gross Weight	575 g (1.27 lb)
Storage Temperature	Basic Protection

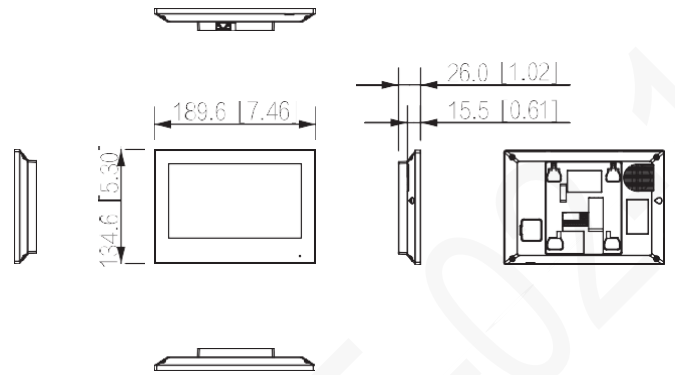
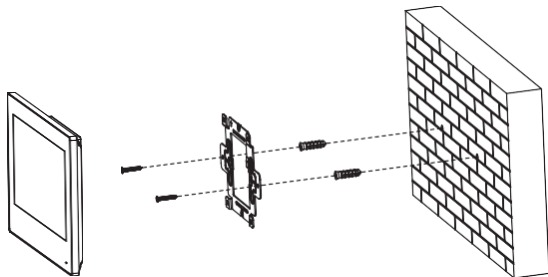
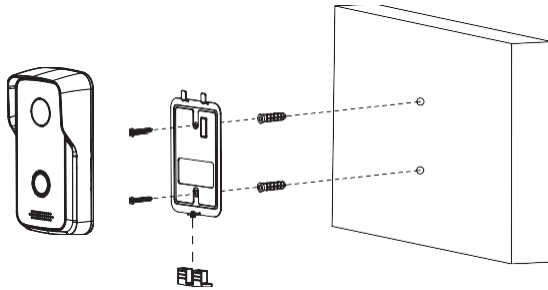
## General

Appearance Color	Black
Certifications	CE; FCC
Product Dimensions	194.0 mm × 108.1 mm × 35.0 mm (7.64" × 4.26" × 1.38")
Gross Weight	0.56 kg (1.23 lb)
Anti-corrosion Level	Basic Protection

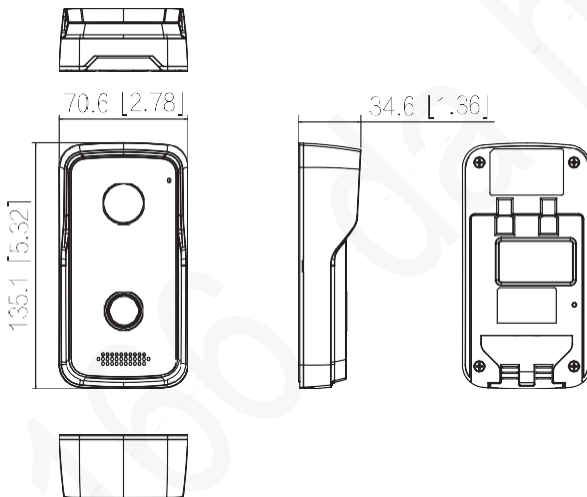
## Ordering Information

Type	Model	Description
KIT	DHI-KTP03L	IP Video Intercom KIT

## Installation



## Dimensions (mm[inch])



## Application

